

TPC-DPC104-RK3288

Product Overview

Key features:

- 10.4" Projective capacitive multi-point touch;
- Rockchip RK3288 CPU processor, 2GB DDR, 8GB emmc;
- Extreme-compact, fan-less design, Finned heat sink;
- Front with USB and on/OFF switch;
- Support Panel mounting and VESA mounting;



Brief Introduction

TAICENN TPC-DPC104-RK3288 model is a low power-consumption, Fan-less designed, extreme compact enhanced stability and reliability, **customized** industrial Touch Panel PC product. It adapts ARM based Rockchip RK3288 Quad-core 1.8Ghz processor. TPC-DPC104-RK3288 model memory can support DDR3 2GB, and 8GB eMMC storage, Max. support 64GB (Expansion with TF-card). The design uses a multi-point (10- points) projective capacitive touch screen, and it can fulfill front panel NEMA/IP65 dust-proof and

water-proof standards. The TPC-DPC104-RK3288 is designed with 1*GLAN, 3*USB, 1*RS232 I/O ports, including a special request on front USB port and on/Off switch.

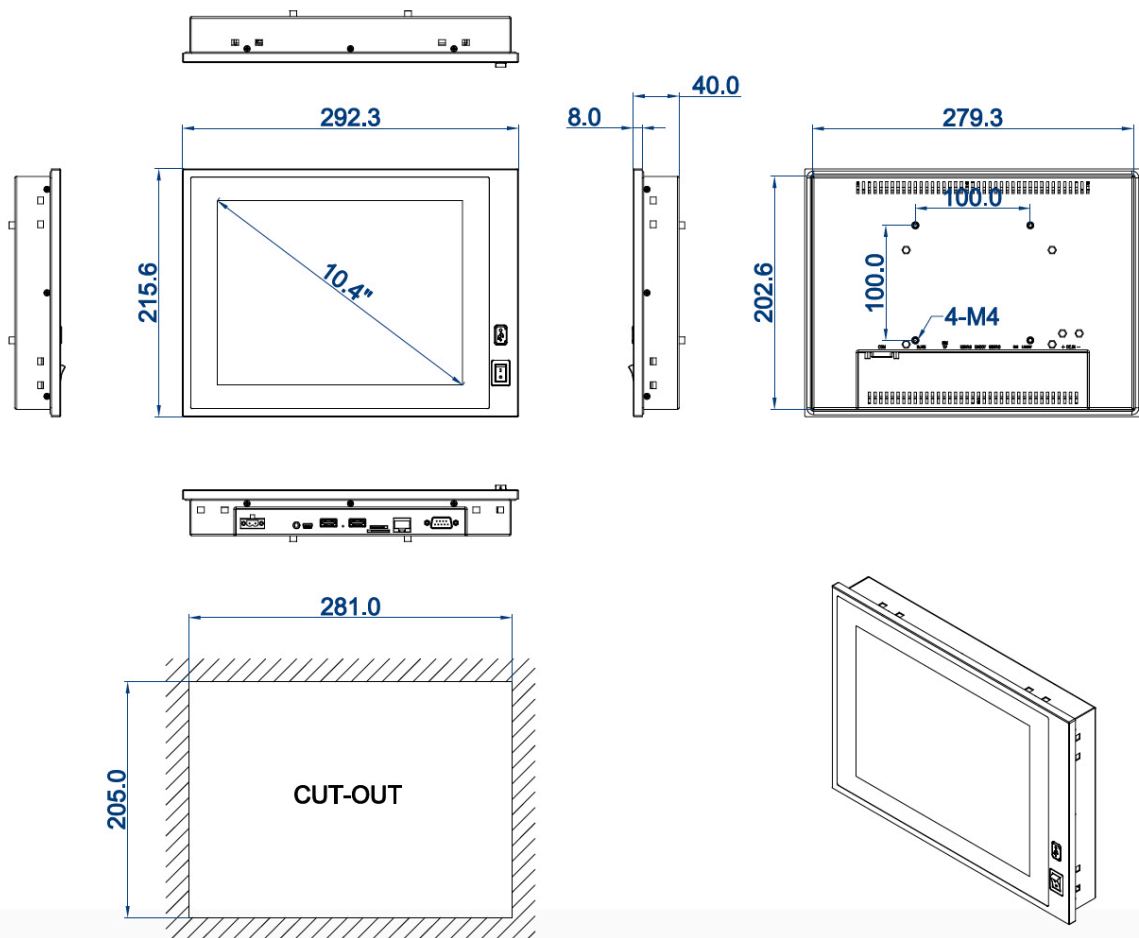
The TPC-DPC104-RK3288 uses full-sealed box construction, and it can prevent dust from entering the device system.

Technical Data

System	
CPU	Rockchip RK3288
CPU Ghz	Quad-core 1.8Ghz
Memory	DDR3 2GB
Storage	8GB eMMC, Max. support 64GB (Expansion with TF card)
System	Andriod
I/O	
Network	1* Intel I211AT
USB	2* USB 2.0 + 1* USB 2.0 in front surface
COM	1*RS232 (Surge and electrostatic protection)
Others	DC IN, trigger button, Indicator light, antenna interface
LCD	
Size/Type	10.4'' TFT LCD
Resolution	1024 * 768
Brightness	350 (cd/m ²)
Brightness MTBF	WLED, 30 000 hours
Viewing angle	75/75/75/75 (Typ.)
TOUCH	
Type	Projective capacitive (P-cap.)
Interface	USB
Transparency	>90±3%
Touch points	10 Points
Durability	>100 000 000 times
Surface hardness	Mohs 6H
Operating force	≤10g
Structure	
Front Panel	Magnesium-aluminum alloy, Anodizing treatment
Back Panel	SGCC Galvanized plate sheet, Sand-blasting
Cooling System	Finned aluminum heatsinks, fan-less design
IP rating	IP65 front panel

Mounting	Panel mounting, support VESA 75/100
Product Dimension	292.3 x 215.6 x 48 (mm)
Net weight	3.0 KG
Power and Environmental	
Voltage Input	DC 12V (Over-current, Over-voltage and reverse polarity protection)
Power Consumption	About 15~20W
Working temperature	0°C~+60 °C
Storage temperature	-20°C~+70 °C
Relative humidity	10~95%@10°C (No condensation)
Vibration	50~500Hz, 1.5G, 0.15mm peak to peak
Shock	10G/peak (11ms sec)

Dimension



Ordering Information

TPC-DPC104-RK3288	10.4", 1024*768, RK3288, 3*USB2.0, 1*RS232, PCAP touch, 1*GLAN, DC 12V Adapter
Memory	DDR3L 2G
Storage	eMMC 8GB, Max. support up to 64GB (TF-Card)
Wireless module	WIFI: 802.11 b/g/n Mini PCIe 3G/4G/LTE: All network module

TAICENN Technology

*TAICENN, is a leading global **solution provider** of Embedded Box IPC, Touch panel IPC and industrial monitor, which are designed specifically for systems and applications that require excellent performance, high-level reliability and stability, long supply period and supports.*

The information in this specification is subject to change without notice

All parts of TAICENN Technology documentation are protected by copyright law and all rights are reserved. This documentation may not, in whole or in part, be copied, photocopied, reproduced, translated, or reduced to any electronic medium or machine-readable form without prior consent, in writing, from TAICENN Technology.