

# AM-PR121

12.1" Resistive touch panel mounting Industrial monitor

## Specification

V2.0

### Key features:

- Whole machine die casting molding;
- 12.1" TFT LCD, LED backlit, Resolution 1024 x 768;
- high-temp. 5-wires resistive touch;
- Front 1x USB port;
- Multi DVI+VGA Signal input;
- Panel mounting and VESA mounting;



### Product Image

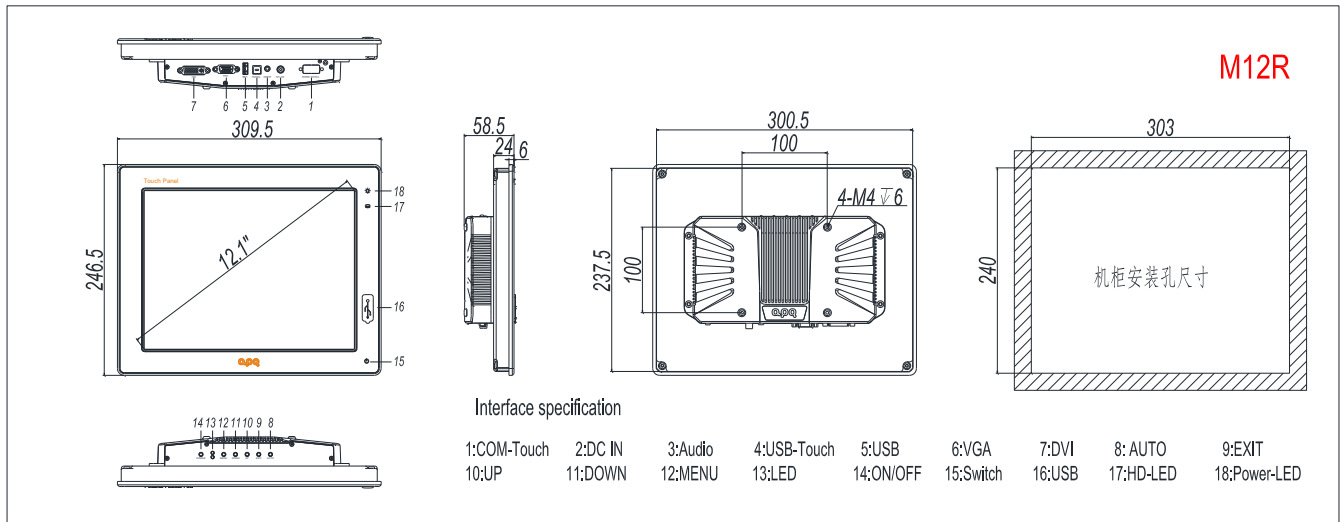


## Technical Data

Basic Parameter	
Button	OSD Button in top panel
Overall Dimension	309.5 x 246.5 x 58.5mm (W*H*D)
Hole Dimension	303 x 240mm (W*H)
Structure	Whole machine aluminum alloy die casting molding
Mounting	Panel Mounting, VESA 100
Display port	1*DVI ,1*VGA
Net weight	3.2 KG
Gross weight	4.1 KG
LCD	
Size/Type	12.1" XGA, TFT-LCD
Resolution	1024 * 768
Backlit MTBF	WLED, 30 000 hours
Brightness	350 (cd/m <sup>2</sup> )
Display area	245.76 x 184.32 mm (H x V)
Contrast ratio	800: 1 (Typ.)
Viewing angle	80/80/80/80 (Typ.)
TOUCH	
Type	High-temp. precision 5 wires Resistive touch
Interface	USB (Optional RS232)
Transmittance	>81%
Resolution	4096 x 4096
Click life	250g/ 35 000 000 times
Draw life	250g/ 5 000 000 times
Response time	<5ms
Operating force	≤50g
Surface hardness	>Mohs 3H
Power & Environmental	
Working temperature	0°C~+50 °C
Storage temperature	-20°C~+60 °C
Water Proof	IP65 rating in front panel
Relative humidity	10~95%@10°C ( No condensation )
Vibration	50~500Hz,1.5G,0.15mm peak to peak
Shock	10G/peak ( 11ms sec )

Power input	DC 12V
Power consumption	Around 15W
Certification	CE/ROHS/FCC

## Dimension & Interface



## Ordering Information

Ordering Part no.	Description
AM-PR121U	12.1" TFT LCD 1024*768/Resistive Touch/USB/ DVI/VGA/DC 12V/40W power adapter
AM-PR121UW	12.1" TFT LCD 1024*768/Resistive Touch/USB/ DVI/VGA/DC 24V
AM-PR121S	12.1" TFT LCD 1024*768/Resistive Touch/RS232/DVI/VGA/DC 12V/40W power adapter
AM-PR121SW	12.1" TFT LCD 1024*768/Resistive Touch/RS232/DVI/VGA/DC 24V

## TAICENN Technology

**TAICENN**, is a leading global **solution provider** of Embedded Box IPC, Touch panel IPC and industrial monitor, which are designed specifically for systems and applications that require excellent performance, high-level reliability and stability, long supply period and supports.

The information in this specification is subject to change without notice  
 All parts of TAICENN Technology documentation are protected by copyright law and all rights are reserved. This documentation may not, in whole or in part, be copied, photocopied, reproduced, translated, or reduced to any electronic medium or machine-readable form without prior consent, in writing, from TAICENN Technology.