

# TAICENN

## CTPC-DC215S

21.5" Intel 6<sup>th</sup>/7<sup>th</sup> Core i3/ i5 **Full HD** Industrial Panel PC

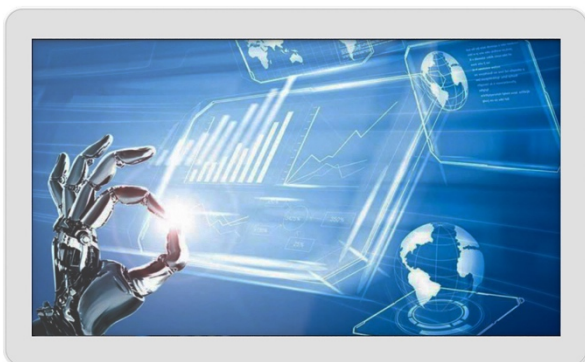
### Specification

Version 1.0

#### Key features:

- 21.5" WXGA-LCD, Full HD, resolution 1920 x 1080;
- Support Intel 6<sup>th</sup>/7<sup>th</sup> Core i3/i5 U series low power processor;
- IO: 6x USB, 2x RJ45, 2x COM (1\* RS485), 1x HDMI, 1x DP ;
- Max. expansion up to 6 \* Intel GLAN;
- Max. expansion up to 4\* COM;
- 2\* Mini-PCIe expansion slot for Wi-Fi/3G/4G/BT wireless;
- Wide voltage DC 12 ~ 28V power input

#### Product Image

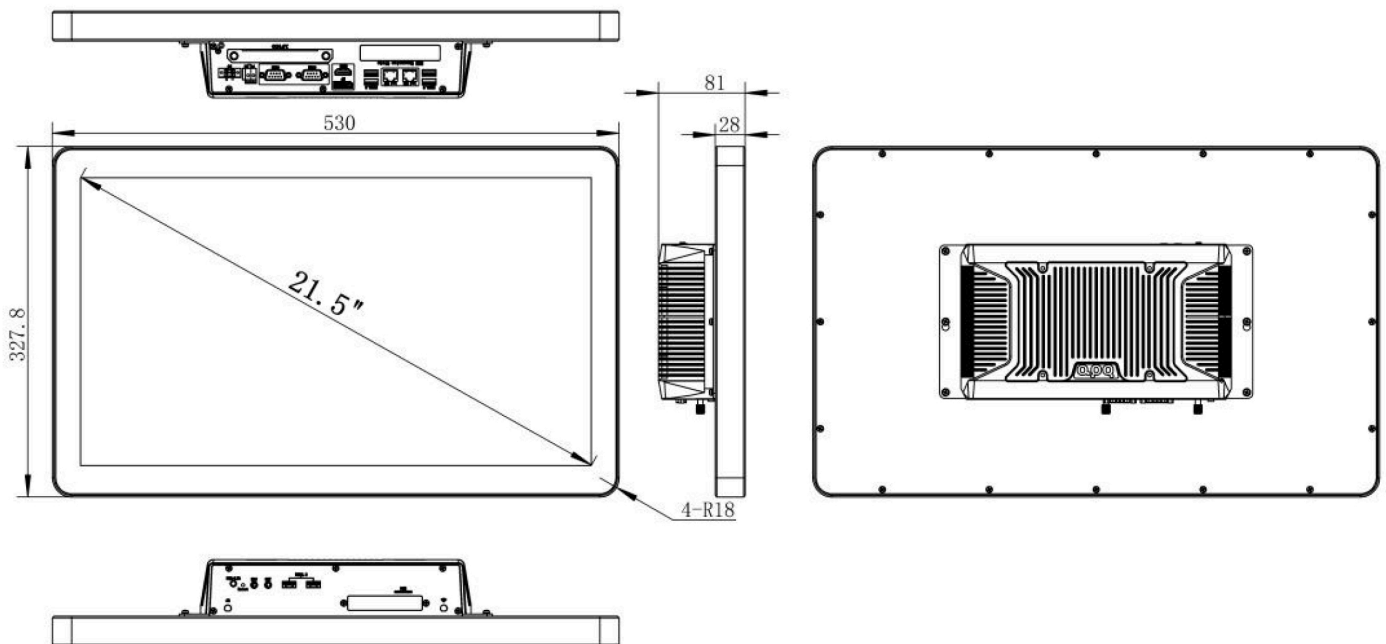


## Technical Data

System		
Processor	CPU	Intel® 6 <sup>1</sup> /7 <sup>th</sup> Core™ Celeron /i3/i5 CPU, TDP=15W (fan-less)
	Chipset	14nm SoC
	BIOS	AMI EFI BIOS, support ACPI, CPU temperature, system voltage monitoring
Memory	Interface	1 x DDR4L
	Capacity	Max. single RAM up to 16G
Storage	Interface	1 x 2.5" Hard disk, support 5~9.5mm, hot pluggable 1 x mSATA
	Chipset	CPU integrated Intel® HD Graphics
Display	Ports	1 x DP (Max. support resolution: 4096x2304 x24bpp, @ 60Hz) 1 x HDMI (Max. support resolution: 4096 x 2304, @ 24Hz)
	Chip	2 x Intel® Ethernet Connection; LAN1: I211-AT, LAN2: I219LM, support WOL and jumbo frame
Network	Wireless	1 x Mini-PCIE (Half/ full, support 802.11b/g/n, 3G/4G, optional) 1x Mini-PCIE (Half/full, support 3G/4G, optional) 1 x SIM slot
	Chips	Realtek ALC662VD
Audio	Port	1 x Mic-in + 1 x Audio-out
	USB	6 x USB (4x USB3.0 + 2x USB2.0)
I/O	COM	2 x DB9 (support RS485/RS232)
	PCIe	1x MXM 3.0 (Support 4x GbE Lan module, optional)
Expansion I/O	GPIO	8 x GPIO ( 4 IN 4 OUT , DI low level, DO high level, DI/DO BIOS configurable, Optional
		8 x GPIO ( 4 IN 4 OUT, photoelectric isolated, 5V~40V wide voltage input , OMRON relay output, DB25, optional )
Power	Type	DC
	Port	1 x 2pin 5.08 phoenix terminal, with hole lock
	Input	Default 12~28V wide voltage power input (Default with 12V adapter)
LED/Switch	Power on	1 x power on button ( including status LED light ) 1x external switch signal interface
		Reset

		reset when power on)
<b>Watchdog</b>		Programmable 255 seconds
<b>OS</b>	version	Windows 7/8.1/10, Linux
<b>Display</b>		
Display screen	21.5" FHD TFT LCD	
Resolution	1920 * 1080 (H *V)	
Backlit	WLED	
Backlit MTBF	50 000 hours	
Contrast ratio	1000 : 1	
Max. color	16.7M	
Brightness	250 nits	
Display area	476.64 * 268.11 mm	
Pixel	0.2482 * 0.2482	
Viewing angle	89/89/85/85	
Weight	<2.1 kg	
Backlit	WLED	
Aspect ratio	16:9	
<b>Touch</b>		
Type	Projective capacitive touch 10 points	
Resolution	4096 * 4096	
Touch input	Finger/touch pen	
Response time	< 5ms	
Transparency	>90%	
Interface	USB	
Durability	>100 000 000 times	
<b>Structure</b>		
Color	Industrial grey	
Weight	Net weight 10.5kg	
Mounting	VESA 100	
Hole dimension	Aluminum-magnesium alloy	
<b>Environmental</b>		
Operating temp.	0 ~ +50C	
Storage temp.	-20 ~ +60C	
Humidity	10%~90%@40°C (non-condensation)	
Vibration	SSD : 3Grms@5~500Hz , random , 1 hr/axis ;	
Shock	10G/peak (11ms sec)	

## Dimension



## Ordering Information

CTPC-DC215S1	21.5", Full HD 1920*1080, Intel 6 <sup>th</sup> Core i3-6100U, 6*USB, 2*GLAN, 1*HDMI, 2*COM, 1*DP, Power adapter
CTPC-DC215S2	21.5", Full HD 1920*1080, Intel 6 <sup>th</sup> Core i5-6200U, 6*USB, 2*GLAN, 1*HDMI, 2*COM, 1*DP, Power adapter
Memory	SO-DDR4L 4G/8G/16GB
Storage	SSD: 16GB/32GB/64GB/128GB/256GB/512GB/1TB HDD: 500GB/1TB
Wireless module	WIFI: 802.11 b/g/n Mini PCIe 3G/4G/LTE: All network module
Expansion module	MXM (4*GLAN)

**TAICENN**, is a leading global **solution provider** of Embedded Box IPC, Touch panel IPC and industrial monitor, which are designed specifically for systems and applications that require excellent performance, high-level reliability and stability, long supply period and supports.

The information in this specification is subject to change without notice  
All parts of TAICENN Technology documentation are protected by copyright law and all rights are reserved. This documentation may not, in whole or in part, be copied, photocopied, reproduced, translated, or reduced to any electronic medium or machine-readable form without prior consent, in writing, from TAICENN Technology.