

TM-PR104

10.4" Resistive touch panel mounting Industrial monitor

Specification

V2.0

Key features:

- 10.4" TFT LCD, LED backlit, Resolution 1024 x 768;
- high-temp. 5-wires resistive touch;
- Front Panel PET laminated;
- Aluminum-magnesium alloy, anodic treatment;
- Multi DVI+VGA Signal input;
- Industrial temp. -20°C~+70 °C ;
- Panel mounting and VESA mounting;
- Optional No-touch function, with Glass

Product Image



Brief Introduction

TAICENN TM-PR104 series is an enhanced stability and reliability industrial 10.4-inch **panel mounting** Resistive Touch monitor product. The design uses a high-temp precision 5-wires Resistive touch screen, and it can fulfill front panel NEMA/IP65 dust-proof and water-proof standards.

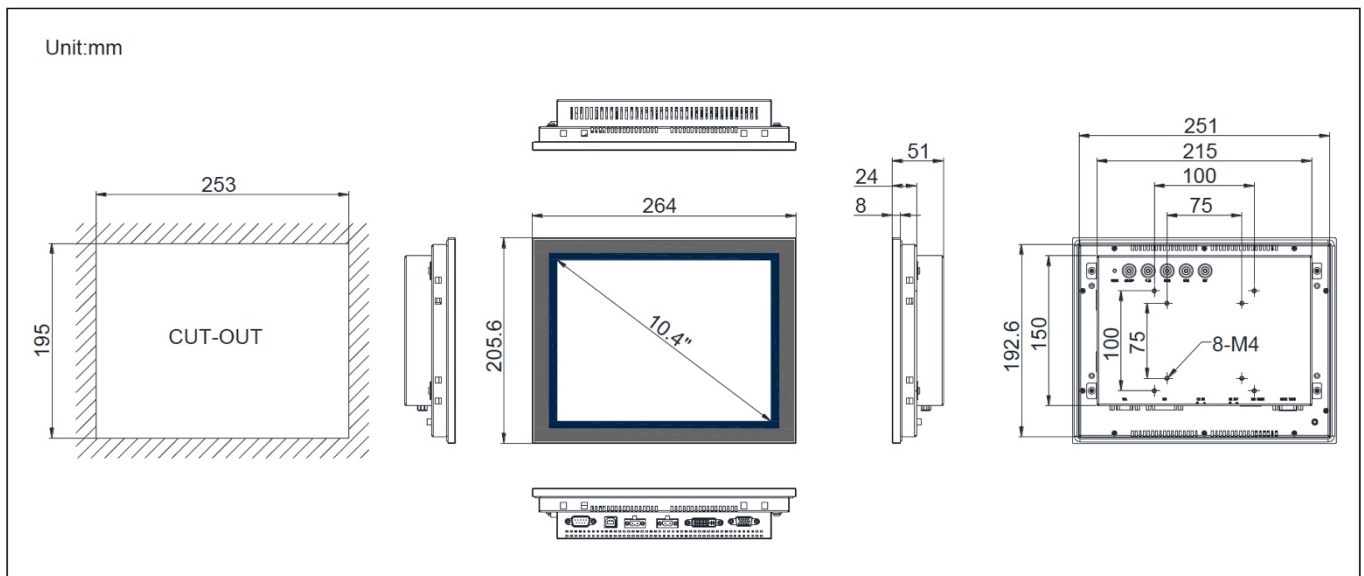
The TM-PR104 uses full-sealed box construction, and its front panel complaints NEMA / IP65 waterproof and dust-proof standard, to prevent installation in the control cabinet because of the scene splashing water droplets and water vapor into the host and thus affect equipment operation; high-strength steel box structure, so that it can adapt to the harsh industrial site work environment, the most suitable for factory automation, machinery manufacturing, CNC equipment, textile equipment, communication networks, power automation and other industrial applications.

Technical Data

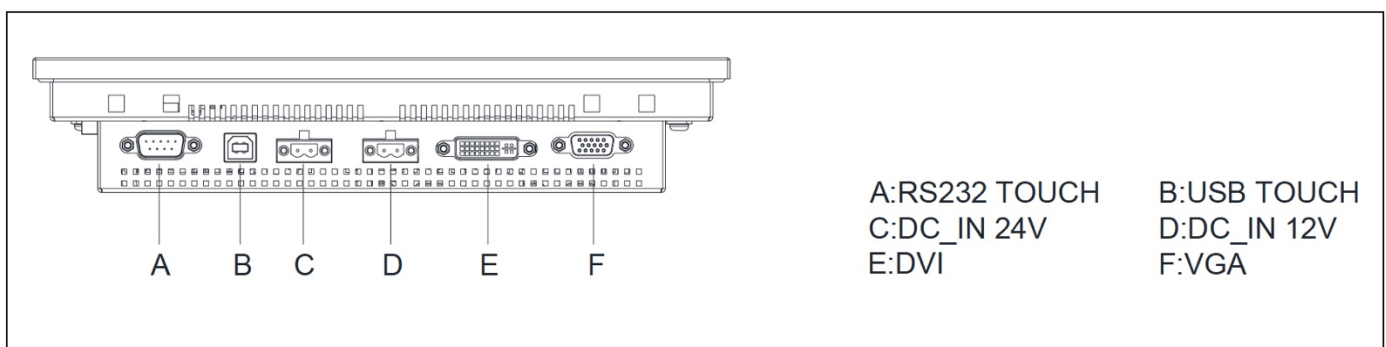
Basic Parameter	
Button	OSD Button in back panel
Overall Dimension	264 x 205.6 x 51mm (W*H*D)
Hole Dimension	253 x 195mm (W*H)
Structure	Front Panel: Aluminum-magnesium alloy, anodic treatment Back panel: SGCC
Mounting	Panel Mounting, VESA 75/100
Display port	1*DVI,1*VGA
New weight	2.5 KG
LCD	
Size/Type	10.4" TFT LCD
Resolution	1024 * 768 (XGA)
Backlit MTBF	WLED, 30 000 hours
Brightness	350 (cd/m ²)
Display area	211.2 x 158.4mm (H x V)
Contrast ratio	900: 1 (Typ.)
Viewing angle	75/75/75/75 (Typ.)
TOUCH	
Type	High-temp. precision 5 wires Resistive touch
Interface	USB (Optional RS232)
Transmittance	>80±3%
Resolution	4096 x 4096
Click life	250g/ 35 000 000 times
Response time	<15ms

Operating force	≤50g
Surface hardness	>Mohs 3H
Power & Environmental	
Working temperature	-20℃~+70℃
Storage temperature	-30℃~+80℃
Water Proof	IP65 rating in front panel
Relative humidity	10~95%@10℃ (No condensation)
Vibration	50~500Hz,1.5G,0.15mm peak to peak
Shock	10G/peak (11ms sec)
Power input	DC 12V or DC 24V
Power consumption	Around 15W
Certification	CE/ROHS/FCC

Dimension



Interface



Ordering Information

Ordering Part no.	Description
TM-PR104U	10.4" TFT LCD 1024*768/Resistive Touch/USB/ DVI/VGA/DC 12V/40W power adapter
TM-PR104UW	10.4" TFT LCD 1024*768/Resistive Touch/USB/ DVI/VGA/DC 24V
TM-PR104S	10.4" TFT LCD 1024*768/Resistive Touch/RS232/DVI/VGA/DC 12V/40W power adapter
TM-PR104SW	10.4" TFT LCD 1024*768/Resistive Touch/RS232/DVI/VGA/DC 24V

TAICENN Technology

*TAICENN, is a leading global **solution provider** of Embedded Box IPC, Touch panel IPC and industrial monitor, which are designed specifically for systems and applications that require excellent performance, high-level reliability and stability, long supply period and supports.*

The information in this specification is subject to change without notice

All parts of TAICENN Technology documentation are protected by copyright law and all rights are reserved. This documentation may not, in whole or in part, be copied, photocopied, reproduced, translated, or reduced to any electronic medium or machine-readable form without prior consent, in writing, from TAICENN Technology.